

EZ Roll™ Gravel Paver

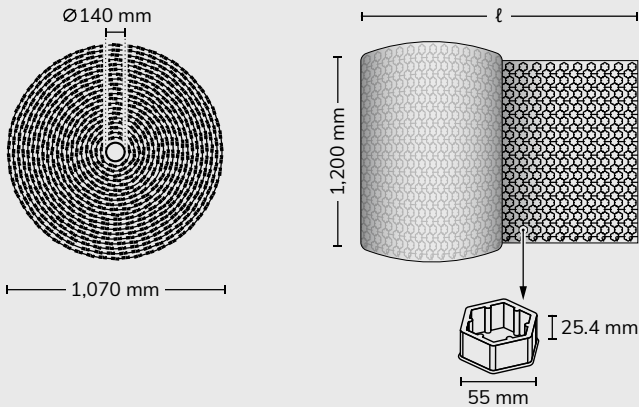


Cut your installation time significantly by simply rolling out the product!

- ✓ Easy installation – EZ Roll™ products come in large rolls that are smoothly placed and clipped together
- ✓ High performance – UV inhibitors in the polymer prevent breakdown in the strength of the paver
- ✓ Enhanced aesthetics – Gravel pavers blend into the natural environment, whilst also minimizing surface water runoff and soil erosion
- ✓ Environmentally friendly – Paver rolls have over 80 % open area providing maximum permeability with minimum soil sealing

PERMEABLE PAVERS

EZ Roll™ Gravel Paver



Applications

A turf reinforcement, load transferring paving system designed to use in:

- Golf cart paths
- Bike paths
- Residential driveways
- Parking lots
- Emergency vehicle access roads
- etc.

Material

100 % recycled HDPE plastic (50 % pre-consumer, 50 % postconsumer). HDPE is rugged, flexible and ideally suited for outside exposure and longevity. Geotextil fabric fused to the paver using a heat-and-pressure-fusion process.

Compressive strength

Gravel Pavers have a compressive strength of 24 kg in an empty condition and more than 226 kg when filled.

Part number	Description	ℓ (m)	Colour	Pallet Quantity (pcs)
0800 6340 015	EZ Roll™ Gravel Pavers, 40.2 m ² total	33.5	Black	4
0800 6340 009	EZ Roll™ Gravel Pavers, 53.6 m ² total	45.4	Grey	1
0800 6340 010	EZ Roll™ Gravel Pavers, 53.6 m ² total	45.4	Brick Red	1
0800 6340 011	EZ Roll™ Gravel Pavers, 53.6 m ² total	45.4	Tan	1

Recommended accessory: 0800 6340 012 EZ Roll™ Gravel Paver Stake (Not included in assortment – order separately)

Installation guideline



Roll it out

Manufactured in pre-assembled rolls for fast and easy installation over prepared base.



Clip it together

Lateral snap-lock system allows rolls to be connected without any special tools.



Fill with gravel

Use clean gravel that is uniform in size, 1 cm angular stones work best.

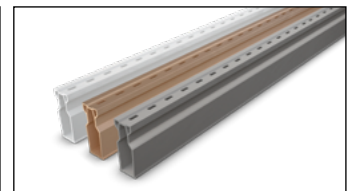
Technical benefits

- ✓ HDPE has an ignition temperature of 350-360 °C when tested in accordance with DIN 54836-1984 and ASTM D 1929-96
- ✓ Hexagonal cell wall is smooth and devoid of notches or grooves
- ✓ Unique side-to-side and end-to-end clips minimize the paver mat movement

EZ Roll™ Gravel Paver is part of a broad portfolio. Discover more!



EZ Roll™ Grass Paver



Micro Channel™



Do you have questions or require a personal consultation?

Feel free to contact your sales representative today to find out more. Hotline +44 1635 521880
Or visit our website for more information about our products: norma-drainage.com



NORMA Group Holding GmbH | Edisonstraße 4 | 63477 Maintal | Germany | norma-drainage.com

This document supersedes all previous issues. No part of this publication may be reproduced without our prior written consent. In NORMA Group's policy of continual product improvements to meet user needs and technological developments, all models and sets listed in this file (photographs, specifications, sizes and weights) may be upgraded or discontinued without notice and without any obligation on our part to modify tools or equipment sold previously. The recommendations for use and safety given in this file do not replace accepted good practice or the safety related legal and regulatory provisions. References to standards implemented as of 1st June 2019 are not contractually binding.